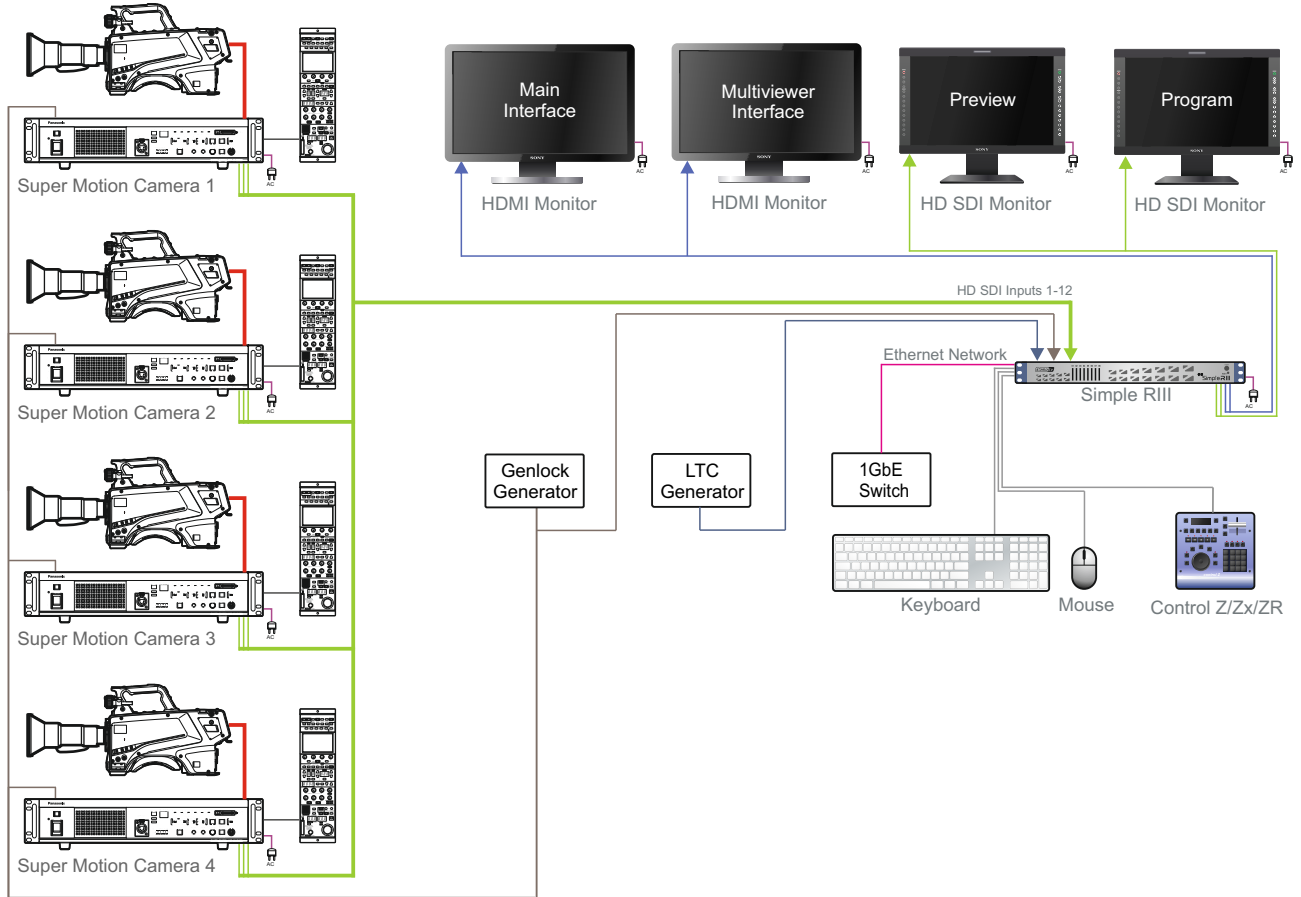


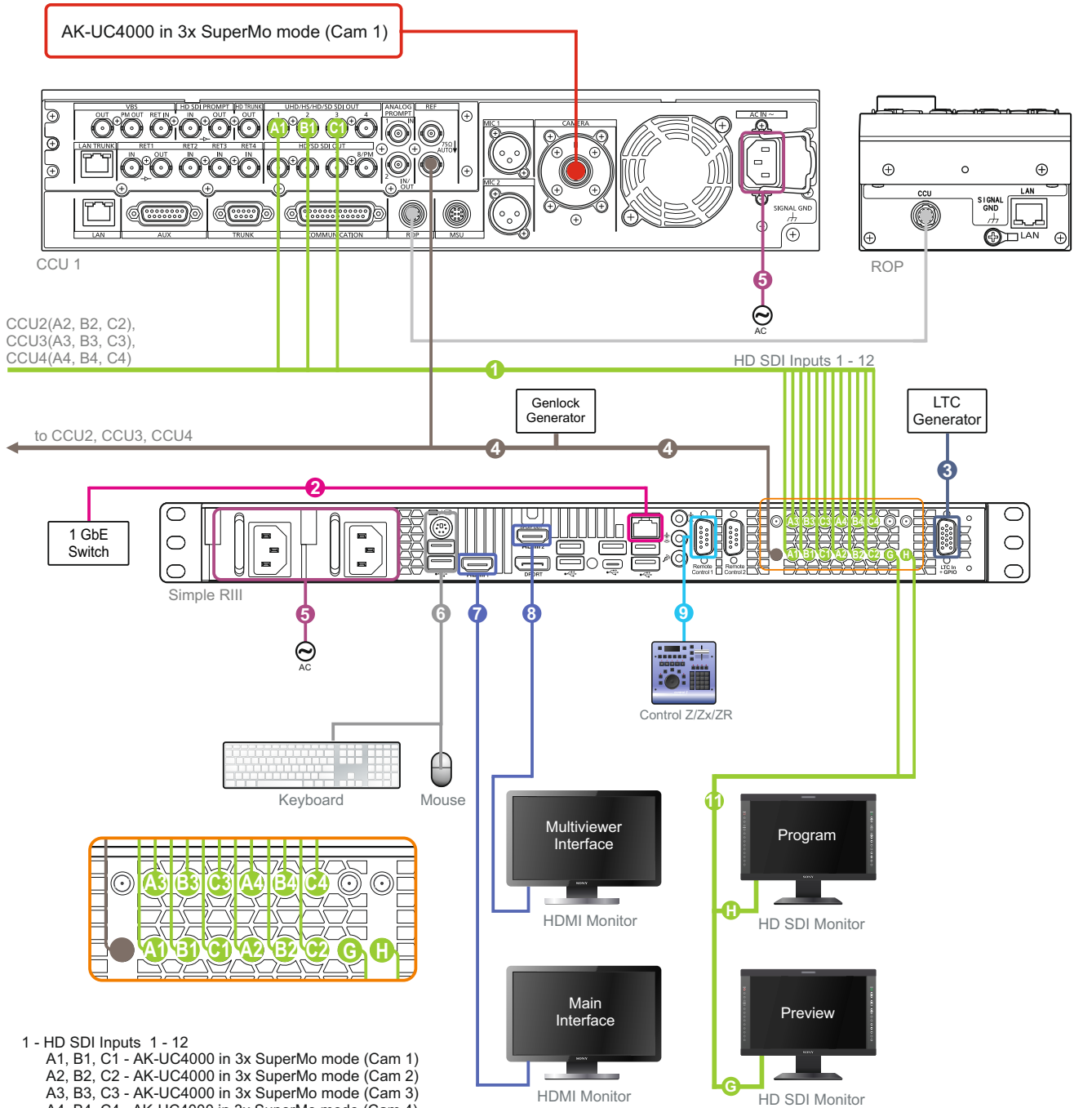
## Simple RIII + Four 3x SuperMo Panasonic AK-UC4000 Cameras

Four Panasonic AK-UC4000 cameras. DCT-based I-frame codec.  
 12 HD SDI inputs. Each SuperMo camera - three HD SDI connections. Graphics Port 1 - Main Interface. Graphics Port 2 - Multiviewer.  
 SDI Output 1 - Program, SDI Output 2 - Preview. With Redundant Power Supply Option.  
 (Can be configured for working with Sony HDC-3300, Hitachi SK-HD1500-S2 and GVG LDX 86 HS cameras in 3x mode)



# Simple RIII + Four 3x SuperMo Panasonic AK-UC4000 Cameras

Connection diagram



- 1 - HD SDI Inputs 1 - 12  
 A1, B1, C1 - AK-UC4000 in 3x SuperMo mode (Cam 1)  
 A2, B2, C2 - AK-UC4000 in 3x SuperMo mode (Cam 2)  
 A3, B3, C3 - AK-UC4000 in 3x SuperMo mode (Cam 3)  
 A4, B4, C4 - AK-UC4000 in 3x SuperMo mode (Cam 4)
- 2 - 1 GbE
- 3 - LTC Input
- 4 - Reference Input
- 5 - AC110/220 V 60/50Hz
- 6 - Keyboard and Mouse
- 7 - HDMI 1920 x 1080 Main Interface
- 8 - HDMI 1920 x 1080 Multiviewer Interface
- 9 - Control Z/Zx/ZR Remote Control
- 11 - HD SDI Outputs:  
 H - Program  
 G - Preview

Use Slomo 900.003.040.10 Cable for BNC Connections 1, 4, 11

Use Slomo 900.020.040.01 Cable for LTC Input Connection