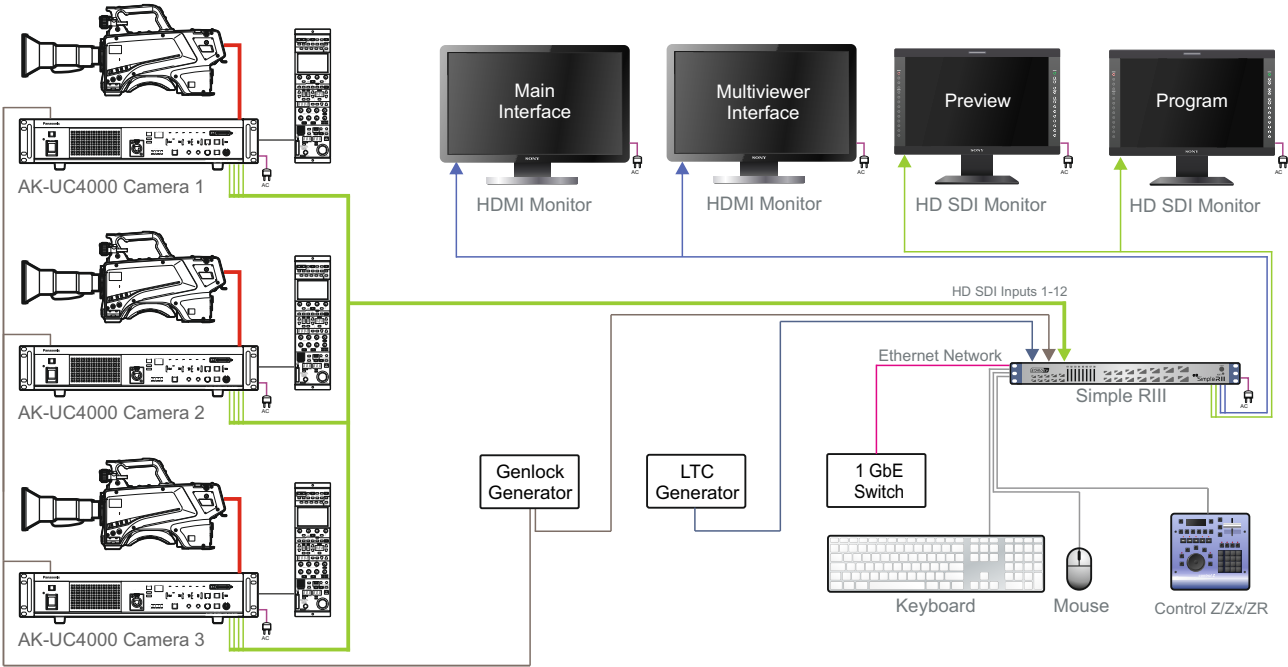


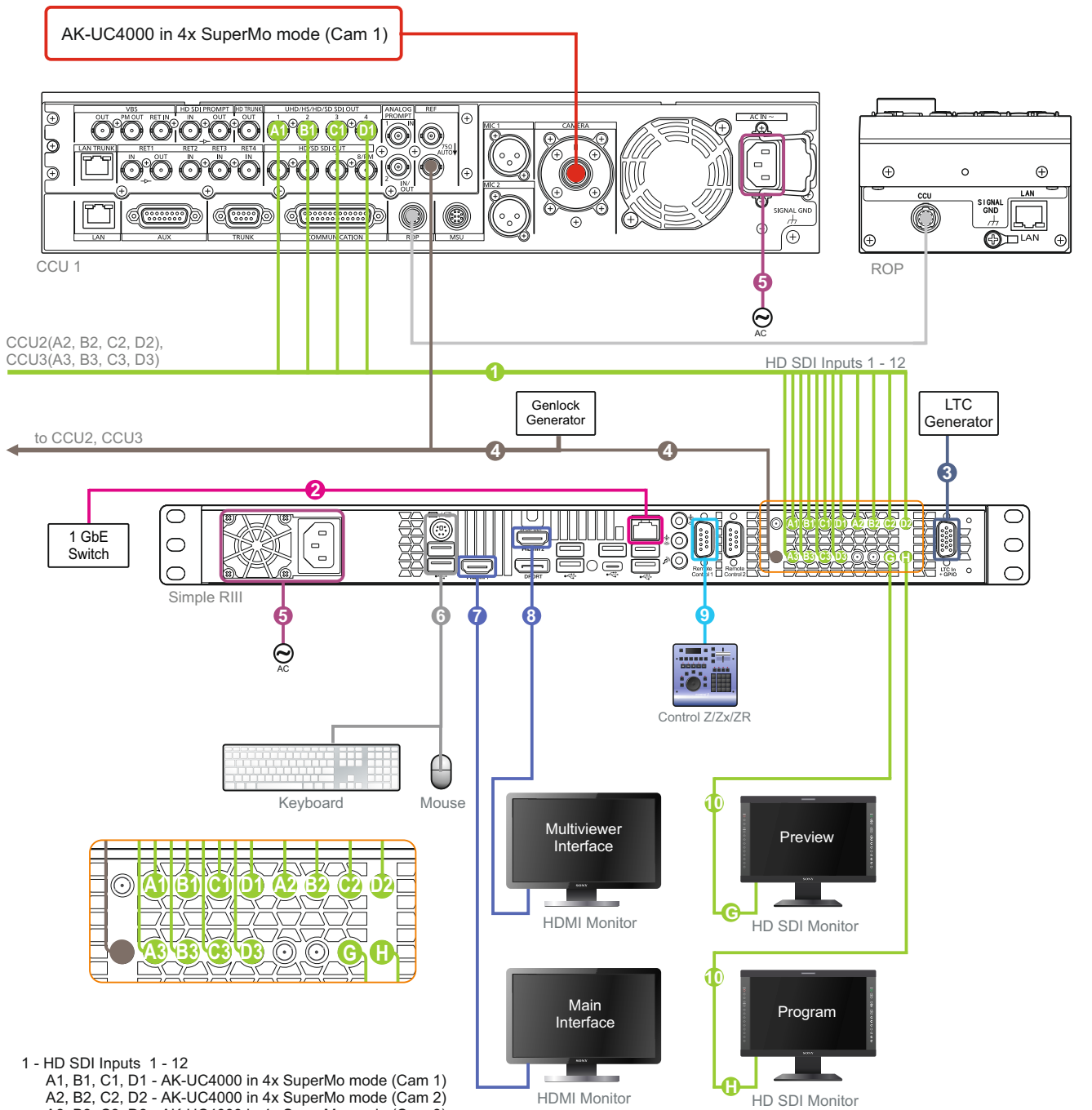
Simple RIII + Three 4x SuperMo Panasonic AK-UC4000 Cameras

Three Panasonic AK-UC4000 cameras. Each Super Motion camera – four HD SDI connections. DCT-based I-frame codec. 12 HD SDI inputs. SDI Output 1 – Program, SDI Output 2 – Preview. Graphics Port 1 – Main Interface. Graphics Port 2 – Multiviewer Interface.



Simple RIII + Three 4x SuperMo Panasonic AK-UC4000 Cameras

Connection diagram



- 1 - HD SDI Inputs 1 - 12
 A1, B1, C1, D1 - AK-UC4000 in 4x SuperMo mode (Cam 1)
 A2, B2, C2, D2 - AK-UC4000 in 4x SuperMo mode (Cam 2)
 A3, B3, C3, D3 - AK-UC4000 in 4x SuperMo mode (Cam 3)
- 2 - 1 GbE
- 3 - LTC Input
- 4 - Reference Input
- 5 - AC110/220 V 60/50Hz
- 6 - Keyboard and Mouse
- 7 - HDMI 1920 x 1080 Main Interface
- 8 - HDMI 1920 x 1080 Multiviewer Interface
- 9 - Control Z/Zx/ZR Remote Control
- 10 - HD SDI Outputs:
 H - Program
 G - Preview

Use Slomo 900.003.040.10 Cable for BNC Connections 1, 4, 10

Use Slomo 900.020.040.01 Cable for LTC Input Connection