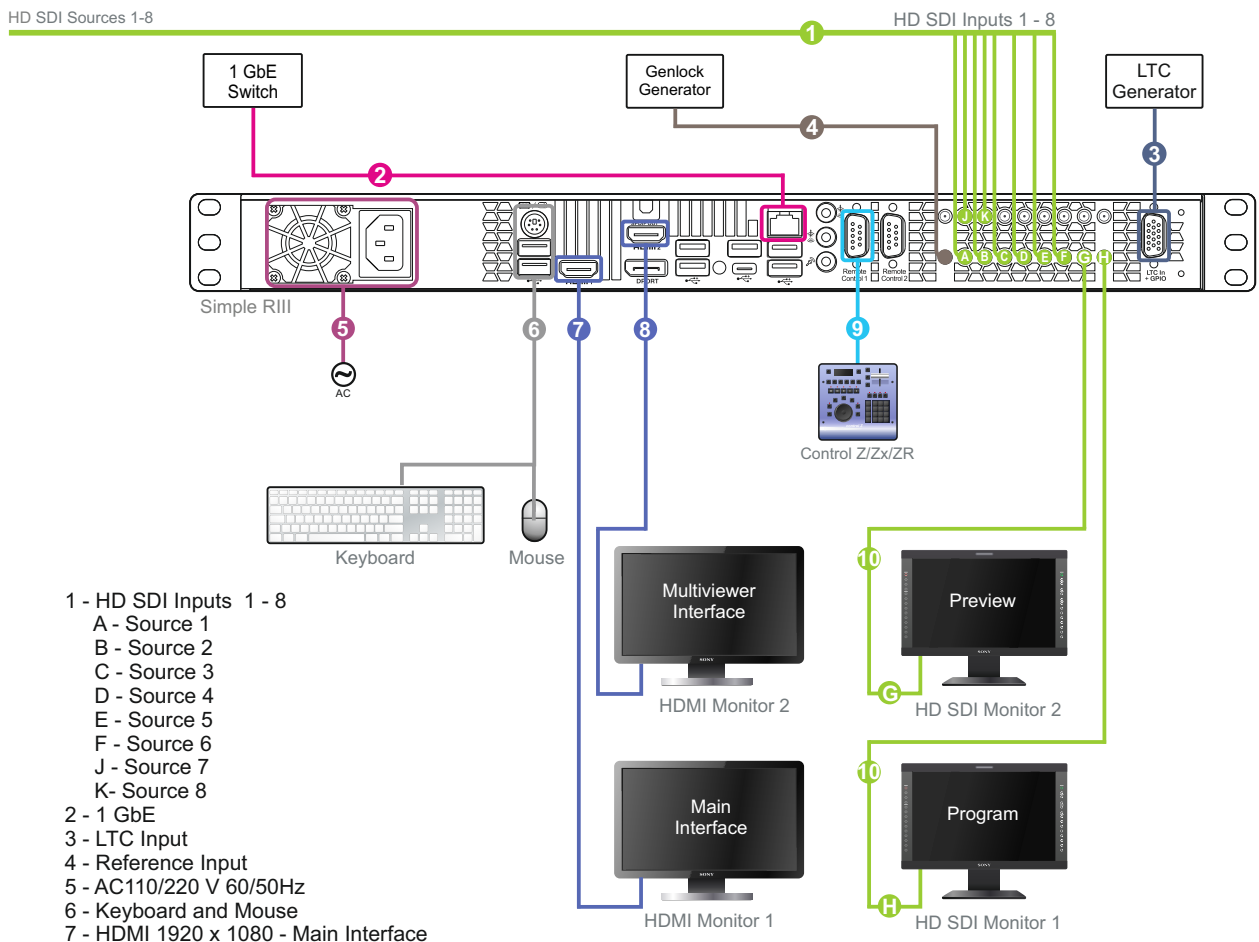
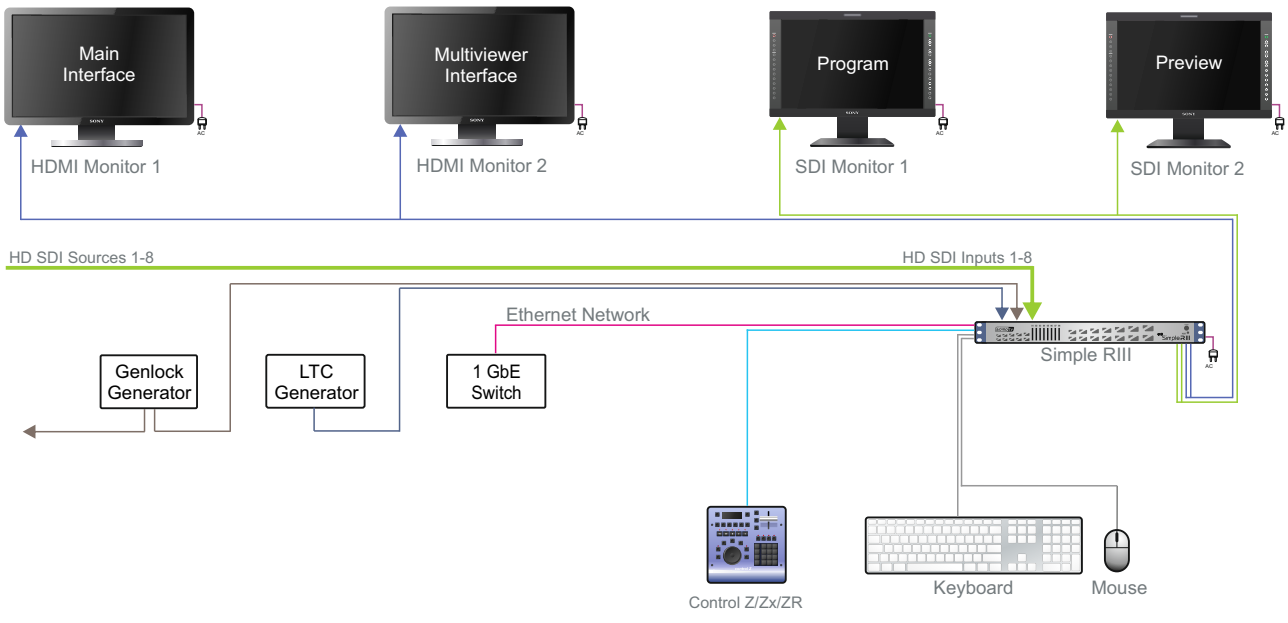


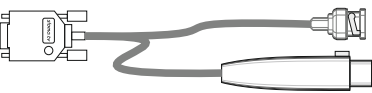
Simple RIII. 8-channel HD SDI Replay configuration with Program and Preview

8 8 2 Replay configuration. Channels: 8 Record; 8 Search; 2 Playback.
 8 HD SDI Inputs. 1st Output – Program, 2nd Output – Preview.
 Graphics Port 1 – Main Interface, Graphics Port 2 – Multiviewer Interface.



- 1 - HD SDI Inputs 1 - 8
 - A - Source 1
 - B - Source 2
 - C - Source 3
 - D - Source 4
 - E - Source 5
 - F - Source 6
 - J - Source 7
 - K - Source 8
- 2 - 1 GbE
- 3 - LTC Input
- 4 - Reference Input
- 5 - AC110/220 V 60/50Hz
- 6 - Keyboard and Mouse
- 7 - HDMI 1920 x 1080 - Main Interface
- 8 - HDMI 1920 x 1080 Multiviewer Interface
- 9 - Control Z/Zx/ZR Remote Control
- 10 - SDI Outputs:
 - G - Preview
 - H - Program


 Use Slomo 900.003.040.10 Cable
 for BNC Connections 1, 4, 10


 Use Slomo 900.020.040.01 Cable
 for LTC Input Connection