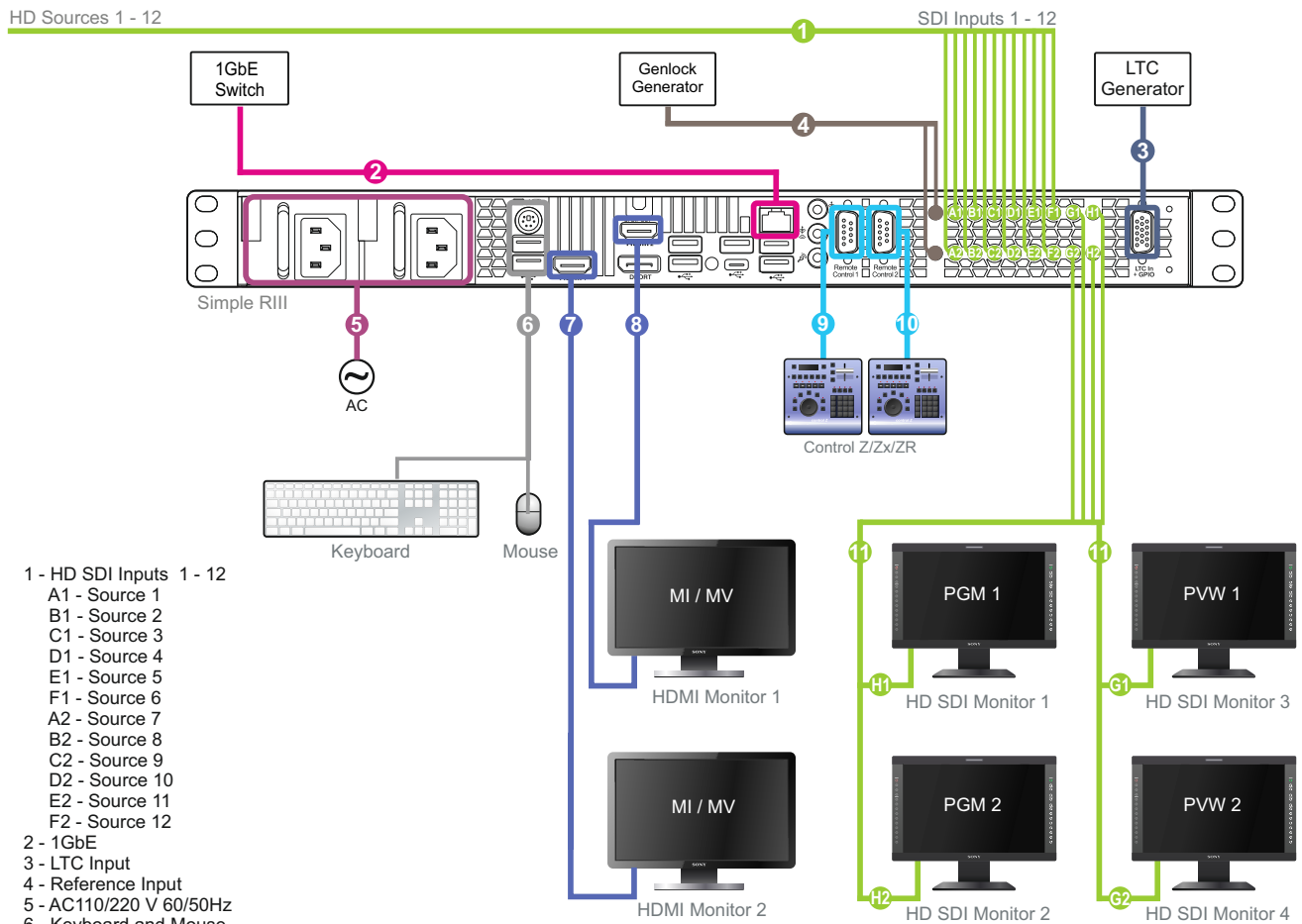
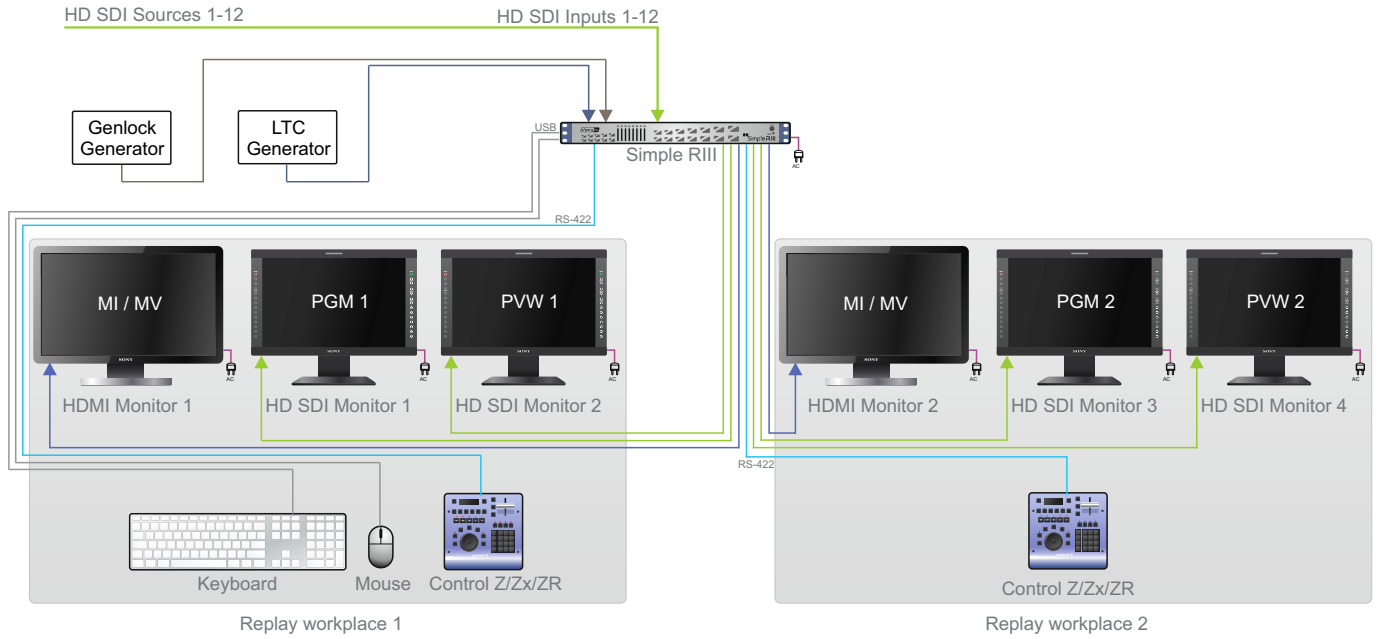


Simple RIII. 12-channel HD SDI Replay configuration with two 662 workplaces

Replay configuration for 12 HD SDI cameras with two independent workplaces. Each workplace - 6 HD cameras (662) + PGM and Preview. SDI Output 1 (3) is used for Program1 (2). SDI Output 2 (4) is used for Preview1 (2). Graphics Port 1 (2) - uses MultiSkin for displaying Main Interface (MI) or Multiviewer (MV). With Redundant Power Supply Option.



- 1 - HD SDI Inputs 1 - 12
 - A1 - Source 1
 - B1 - Source 2
 - C1 - Source 3
 - D1 - Source 4
 - E1 - Source 5
 - F1 - Source 6
 - A2 - Source 7
 - B2 - Source 8
 - C2 - Source 9
 - D2 - Source 10
 - E2 - Source 11
 - F2 - Source 12
- 2 - 1GbE
- 3 - LTC Input
- 4 - Reference Input
- 5 - AC110/220 V 60/50Hz
- 6 - Keyboard and Mouse
- 7 - HDMI 1920 x 1080 Main Interface / Multiviewer (Replay workplace 2)
- 8 - HDMI 1920 x 1080 Main Interface / Multiviewer (Replay workplace 1)
- 9 - Control Z/Zx/ZR Remote Control (Replay workplace 1)
- 10 - Control Z/Zx/ZR Remote Control (Replay workplace 2)
- 11 - SDI Outputs
 - H1 - PGM 1
 - G1 - PVW 1
 - H2 - PGM 2
 - G2 - PVW 2

Use Slomo 900.003.040.10 Cable for BNC Connections 1, 11

Use Slomo 900.020.040.01 Cable for LTC Input Connection