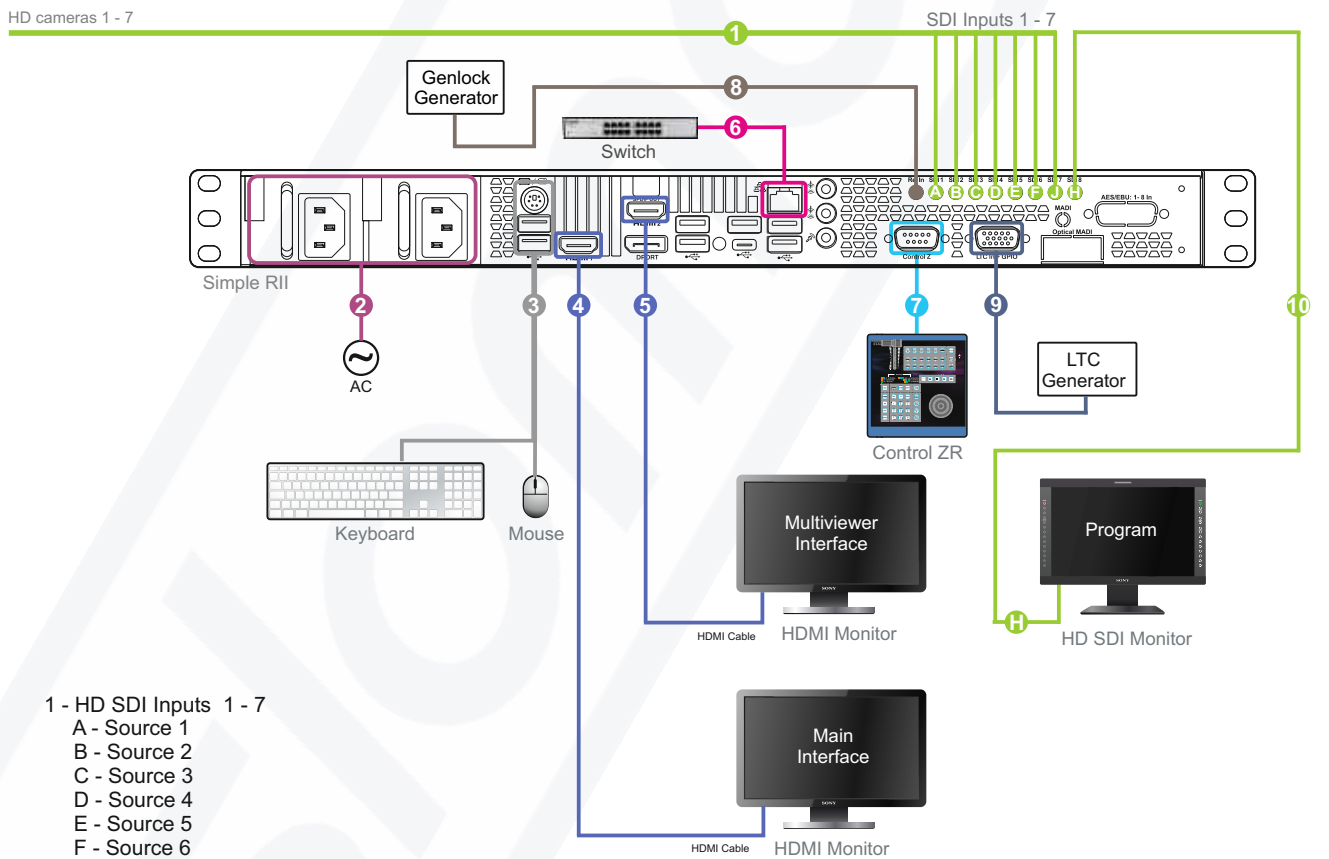
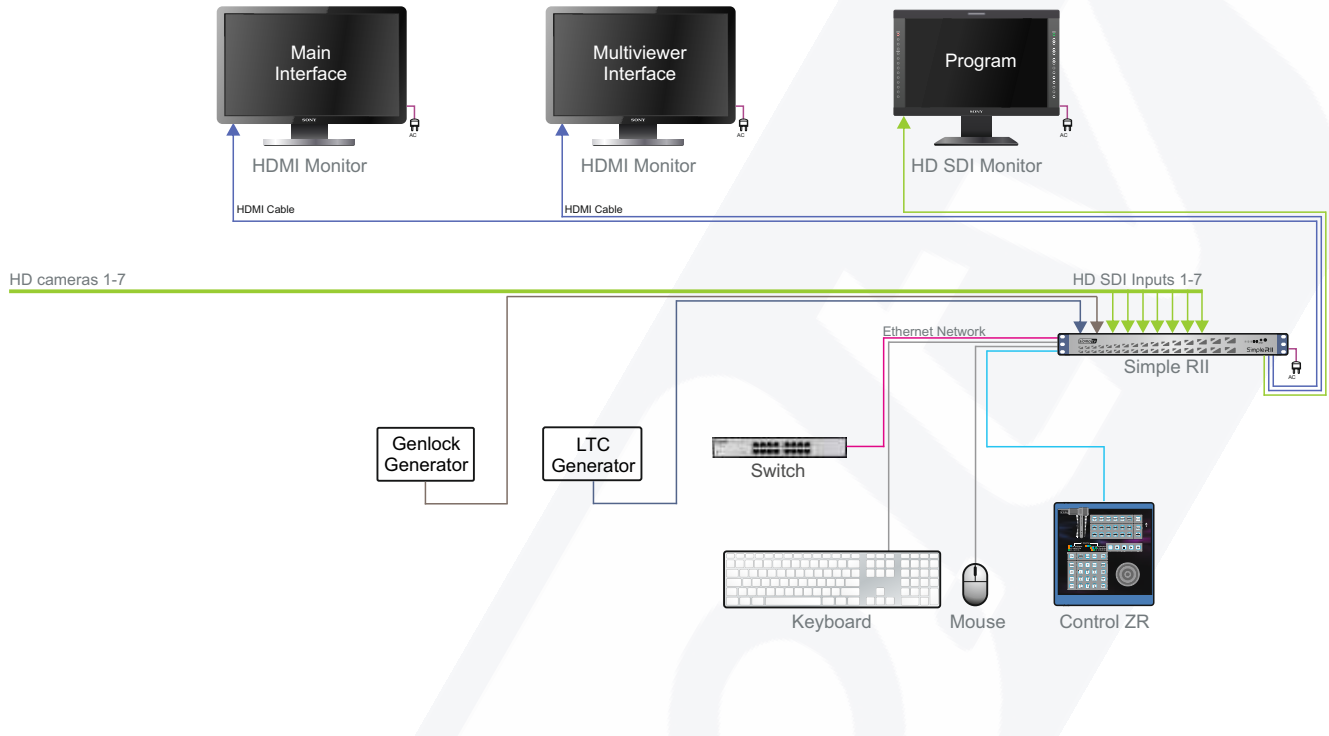


Simple R II 662. 7-channel HD Replay configuration.

Replay configuration for 7 HD SDI channels. 7 HD SDI inputs.
 Graphics Port 1 - Main Interface (MI), Graphics Port 2 - Multiviewer. HD SDI Output is used for Program.
 With Redundant Power Supply Option



- 1 - HD SDI Inputs 1 - 7
 - A - Source 1
 - B - Source 2
 - C - Source 3
 - D - Source 4
 - E - Source 5
 - F - Source 6
 - J - Source 7
- 2 - AC110/220 V 60/50Hz
- 3 - Keyboard and Mouse
- 4 - HDMI 1920 x 1080 - Main Interface
- 5 - HDMI 1920 x 1080 - Multiviewer Interface
- 6 - 1GbE
- 7 - Control ZR Remote Control
- 8 - Reference Input
- 9 - LTC Input
- 10 - SDI Output H - Program

