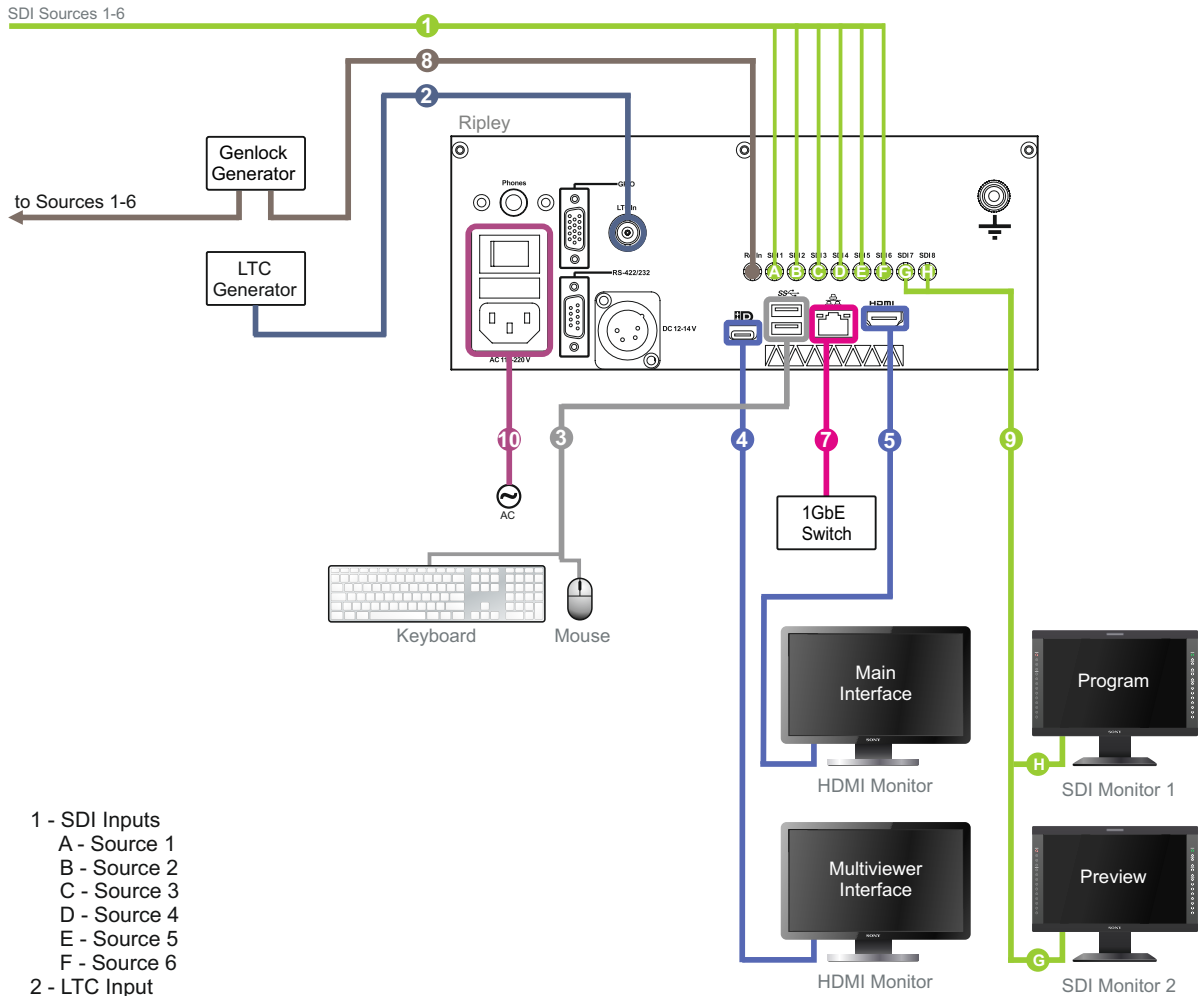
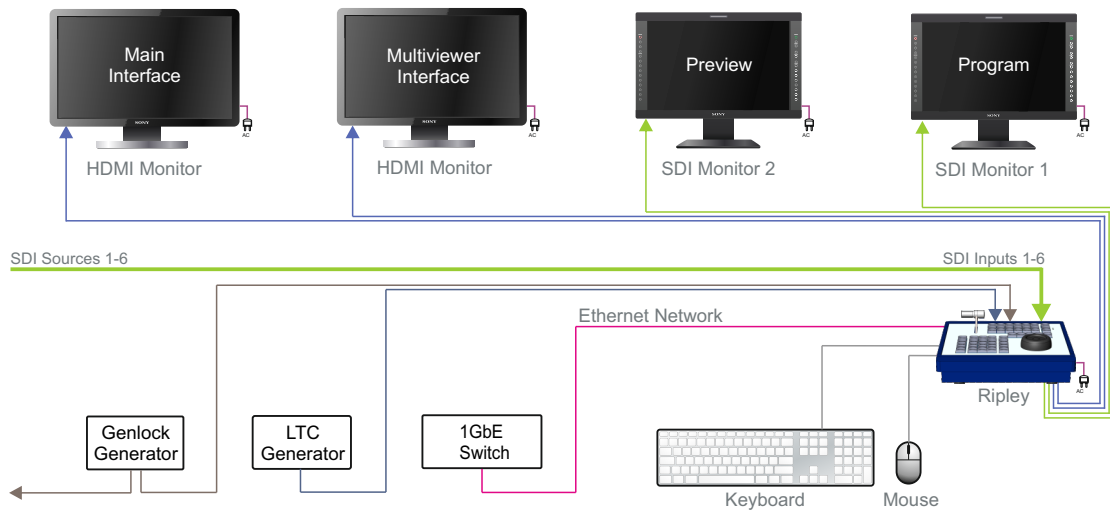


Ripley 662 Six Channels Replay with Program and Preview

DCT based I-frame codec. Channels: 6 Record; 6 Search; 2 Playback
 6 SDI Inputs, 1st Output - Program, 2nd Output - Preview
 Graphics Port 1 (HDMI) - Main Interface (MI), Graphics Port 2 (DP) - Multiviewer (MV)



- 1 - SDI Inputs
 - A - Source 1
 - B - Source 2
 - C - Source 3
 - D - Source 4
 - E - Source 5
 - F - Source 6
- 2 - LTC Input
- 3 - Keyboard and Mouse
- 4 - HDMI 1920 x 1080 - Main Interface
- 5 - HDMI 1920 x 1080 Multiviewer Interface
- 7 - 1 GBE
- 8 - Reference Input
- 9 - SDI Output G - Preview
SDI Output H - Program
- 10 - AC110/220 V 60/50Hz

Use Slomo 900.003.043.10 Cable for BNC Connections 1, 8, 9

Use Slomo 900.020.040.01 Cable for LTC Input Connection