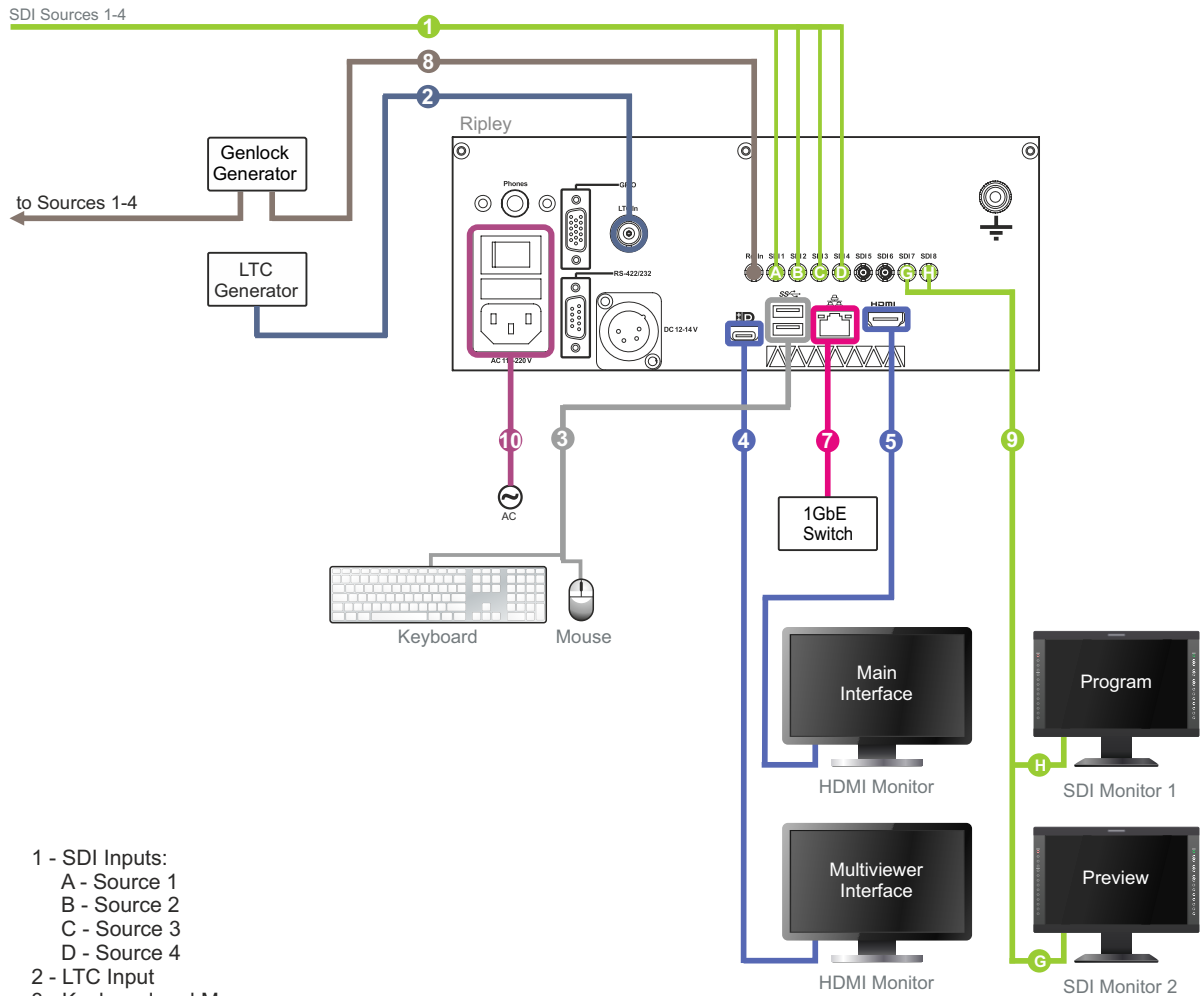
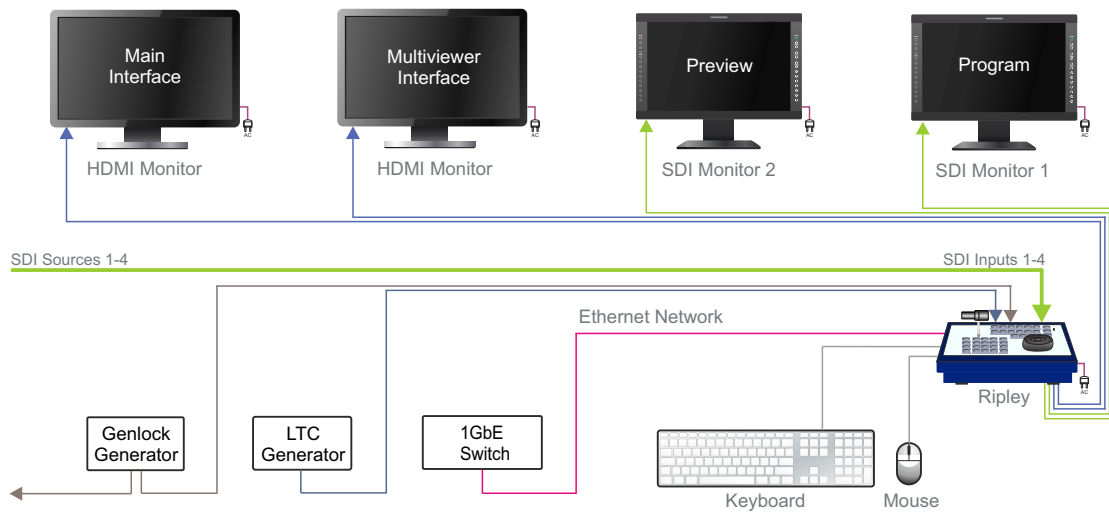


# Ripley 442 Four Channels Replay with Program and Preview

DCT based I-frame codec. Channels: 4 Record; 4Search; 2 Playback  
 4 SDI Inputs, 1st Output - Program, 2nd Output - Preview  
 Graphics Port 1 (HDMI) - Main Interface (MI), Graphics Port 2 (DP) - Multiviewer (MV)



- 1 - SDI Inputs:
  - A - Source 1
  - B - Source 2
  - C - Source 3
  - D - Source 4
- 2 - LTC Input
- 3 - Keyboard and Mouse
- 4 - Monitor 1 1920 x 1080 - Main Interface (HDMI™)
- 5 - Monitor 2 1920 x 1080 - Multiviewer Interface (miniDP)
- 7 - 1 GbE
- 8 - Reference Input
- 9 - SDI Output G - Preview  
SDI Output H - Program
- 10 - AC110/220 V 60/50Hz

Use Slomo 900.003.043.10 Cable for BNC Connections 1, 8, 9

Use Slomo 900.020.040.01 Cable for LTC Input Connection