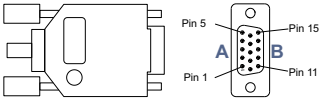


900.021.100.01

LTC+GPIO cable for Simple R

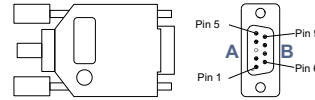
use multicore flexible shielded cable,
75 Ohm flexible coax shielded cable for BNC,
and balanced microphone cable for XLR
length 1 m

to Simple R LTC+GPIO output
HDR-15M



Stickers:
side **A** - LTC+GPIO
side **B** - 900.021.100.01

to GPIO
DB-9M



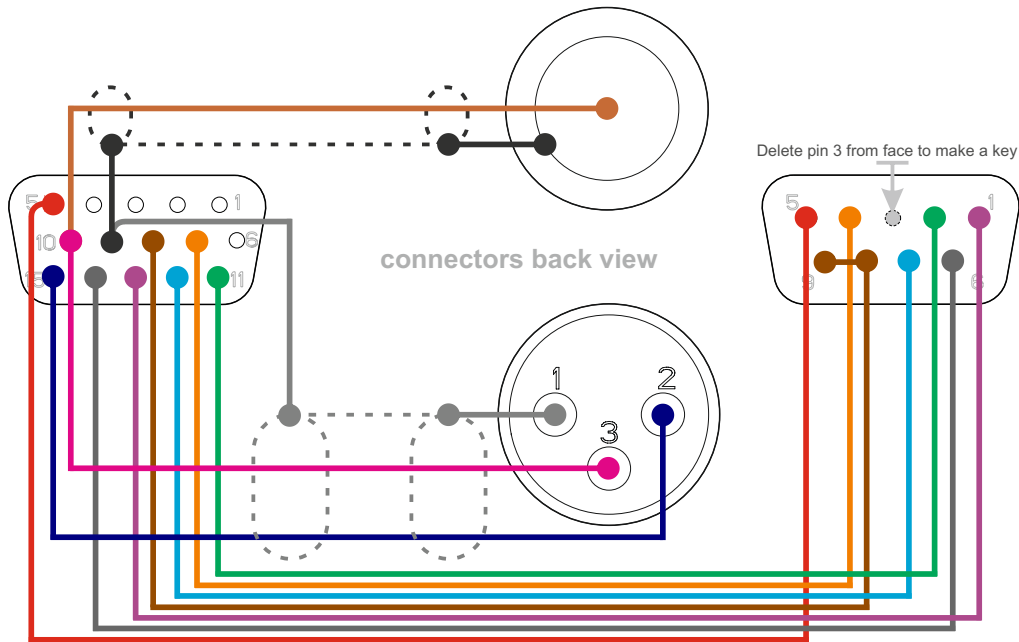
Stickers:
side **A** - GPIO
side **B** - slomo.tv

to LTC source

BNC (M)



XLR (F)



DHR-15M	Signal	DB-9M	XLR	BNC
5	GPI Play	5		
7	GPI Stop	4		
8	GPI Gnd	8, 9		
9	LTC Gnd		1, screen	screen
10	LTC		3	center
11	GPO Play A	2		
12	GPO Play B	7		
13	GPO Stop A	1		
14	GPO Stop B	6		
15	LTC		2	
	key	3		