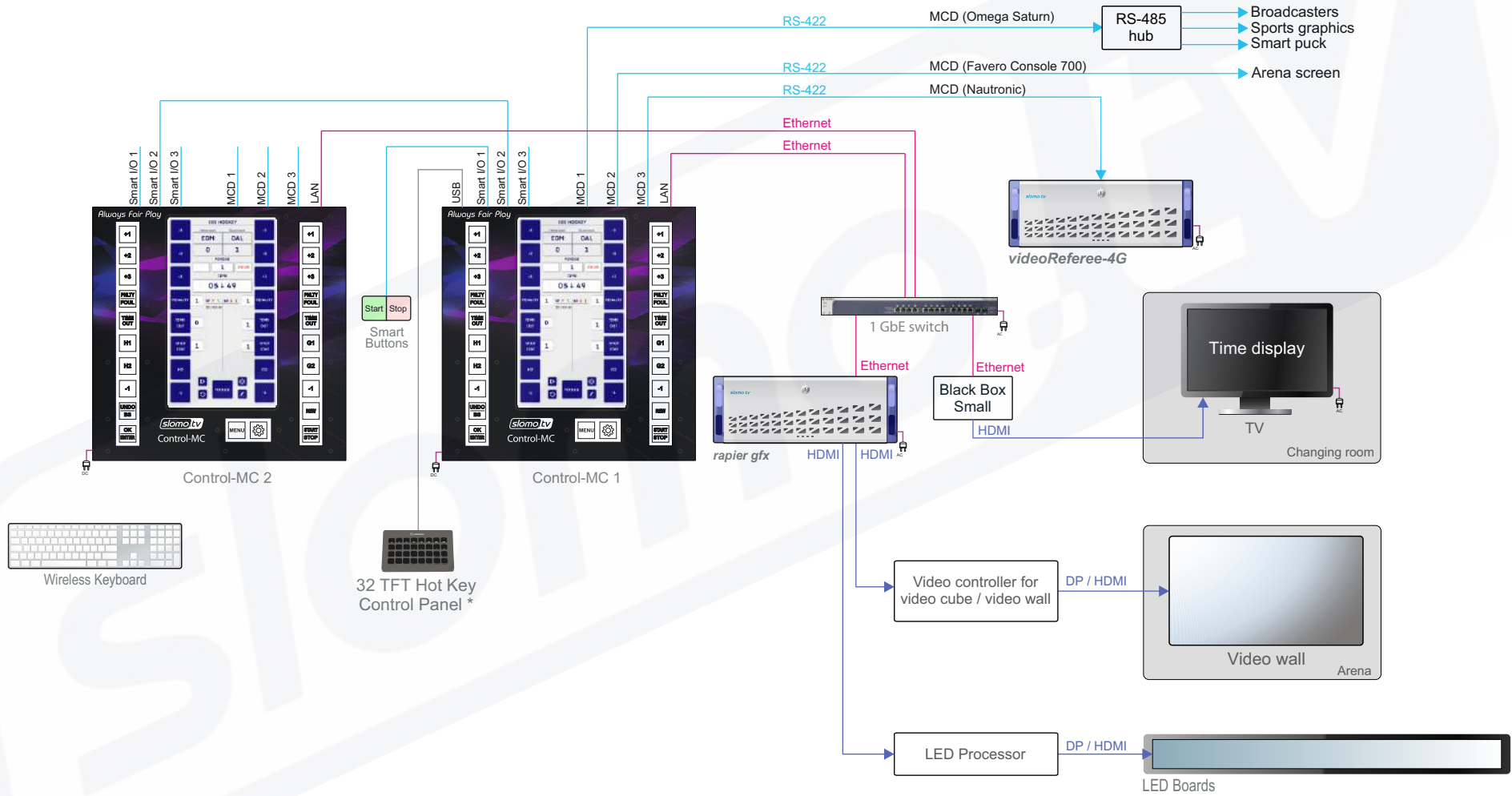


## Using the scoreboard Control-MC in cooperative mode

In cooperative mode, the main match controller is used to control of game parameters - start/stop time, score, penalties, etc, the additional match controller is used for input additional information - team names, numbers and names of players. This data allows you to generate a full match report.



- Ethernet
- HDMI™ / Display Port
- RS-422 / RS-485
- USB
- Power