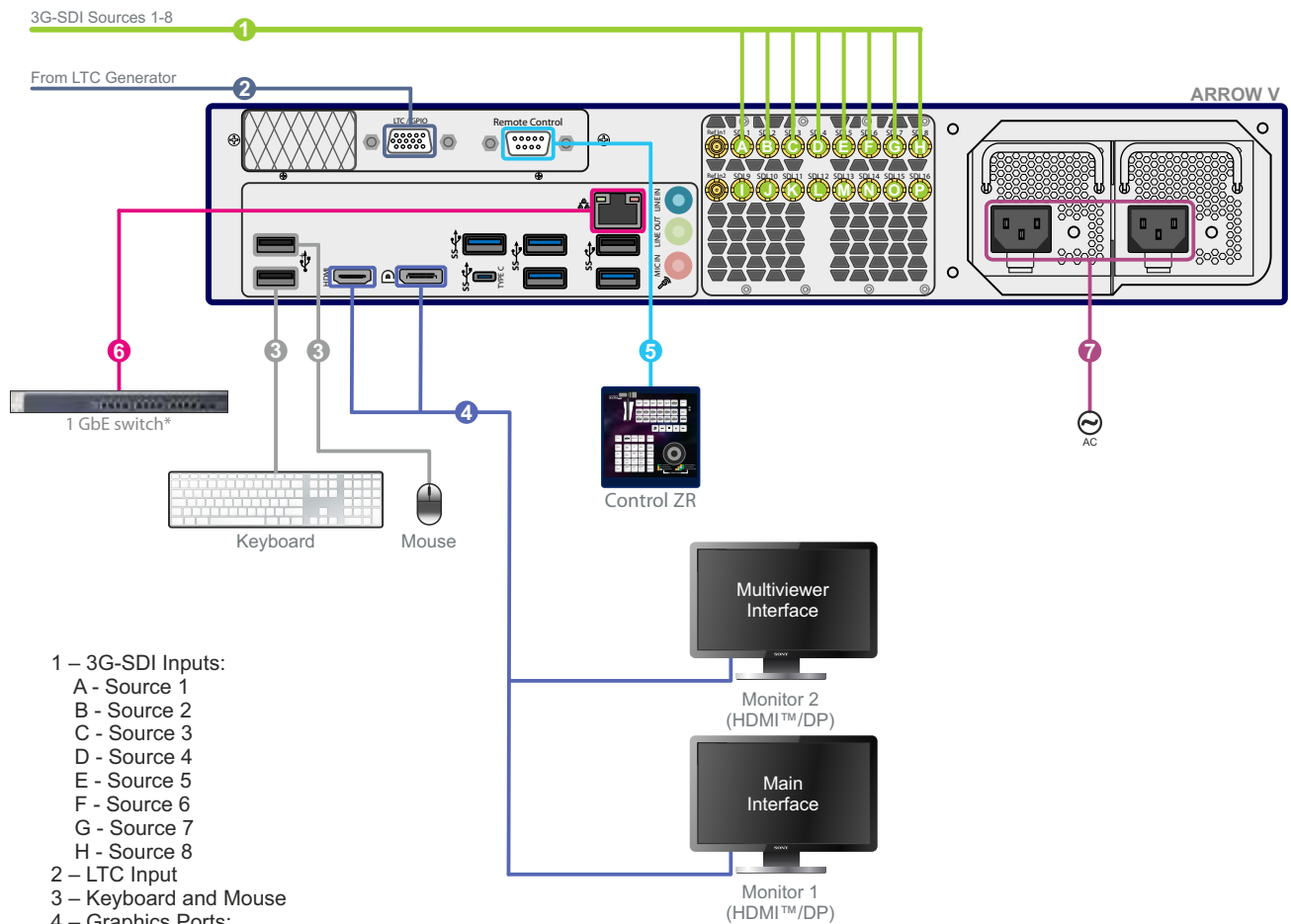
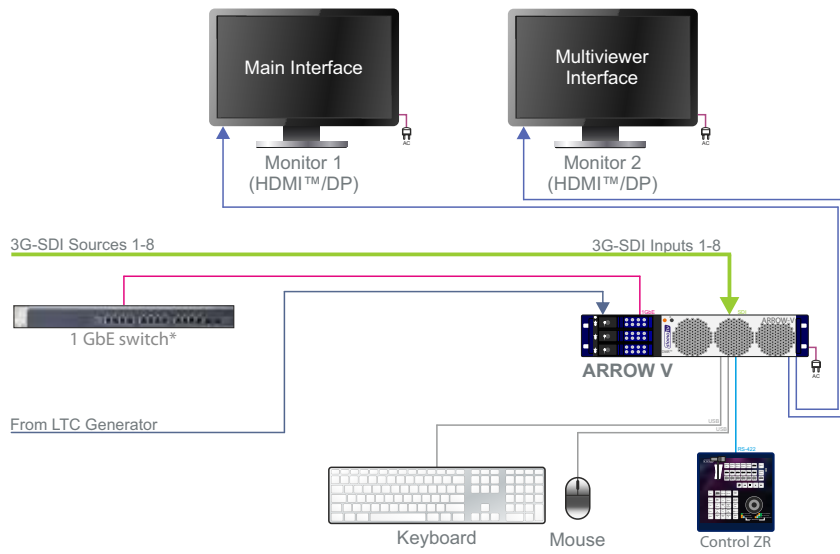


Arrow V


8-channel 3G Recording for NLE configuration

8-channel Recording for NLE. 8 3G SDI Inputs.
 Graphics Port 1 (HDMI™/DP) – Main Interface, Graphics Port 2 (HDMI™/DP) – Multiviewer Interface.
 Redundant Power Supply Option.



- 1 – 3G-SDI Inputs:
 A - Source 1
 B - Source 2
 C - Source 3
 D - Source 4
 E - Source 5
 F - Source 6
 G - Source 7
 H - Source 8
- 2 – LTC Input
- 3 – Keyboard and Mouse
- 4 – Graphics Ports:
 Monitor 1 – Main Interface (HDMI™/DP 1920 x 1080)
 Monitor 2 – Multiviewer Interface (HDMI™/DP 1920 x 1080)
- 5 – Remote control - Control ZR
- 6 – 1 GbE
- 7** – AC 110/220V 60/50Hz

 Use Slomo 900 .003. 043. 10 Cable for BNC Connections 1

 Use Slomo 900 .020. 040. 01 Cable for LTC Input Connection

* – not included
 ** – redundant power supply option