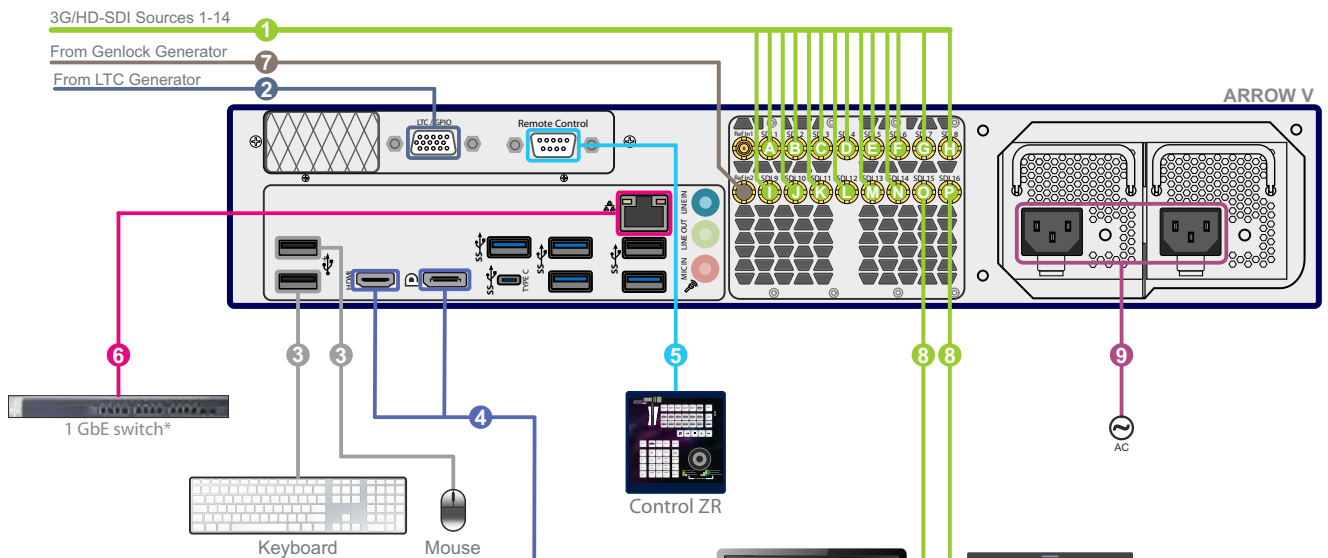
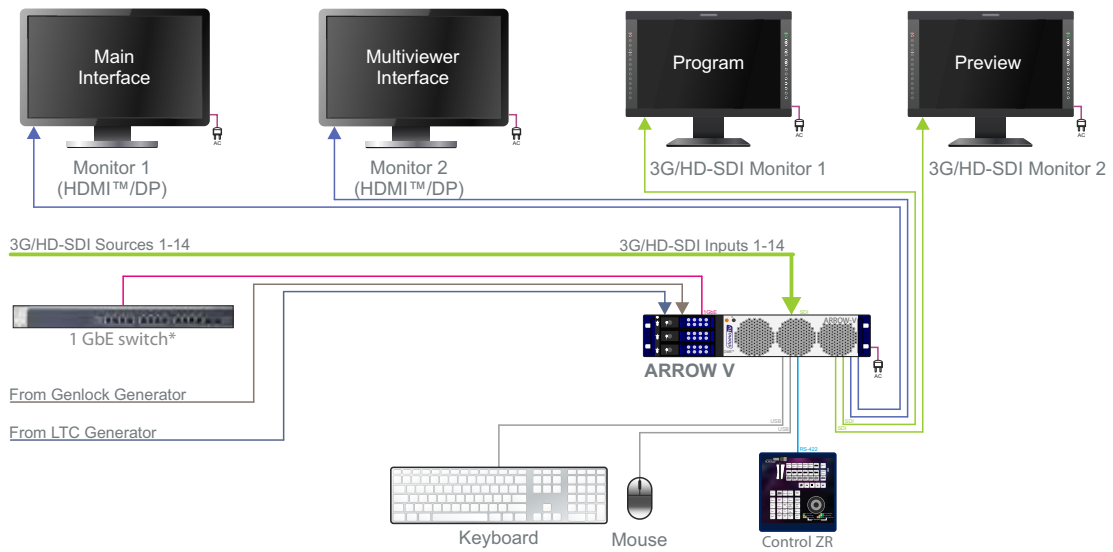


Arrow V

14-channel 3G/HD replay configuration with Program and Preview

14142 Replay configuration. Channels: 14 Recording; 14 Search; 2 Playback.
 Graphics Port 1 – Main Interface, Graphics Port 2 – Multiviewer Interface.
 SDI Out 1 – Program, SDI Out 2 – Preview.
 Redundant Power Supply Option.



1 – 3G/HD-SDI Inputs:

- A – Source 1
- B – Source 2
- C – Source 3
- D – Source 4
- E – Source 5
- F – Source 6
- G – Source 7
- H – Source 8
- I – Source 9
- J – Source 10
- K – Source 11
- L – Source 12
- M – Source 13
- N – Source 14

2 – LTC Input

3 – Keyboard and Mouse

4 – Graphics Ports:

Monitor 1 – Main Interface (HDMI™/DP 1920 x 1080)
 Monitor 2 – Multiviewer Interface (HDMI™/DP 1920 x 1080)

5 – Remote control – Control ZR

6 – 1 GbE

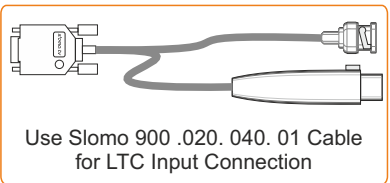
7 – Reference Input

8 – 3G/HD-SDI Outputs:

O – Preview

P – Program

9** – AC 110/220V 60/50Hz



* – not included

** – redundant power supply option