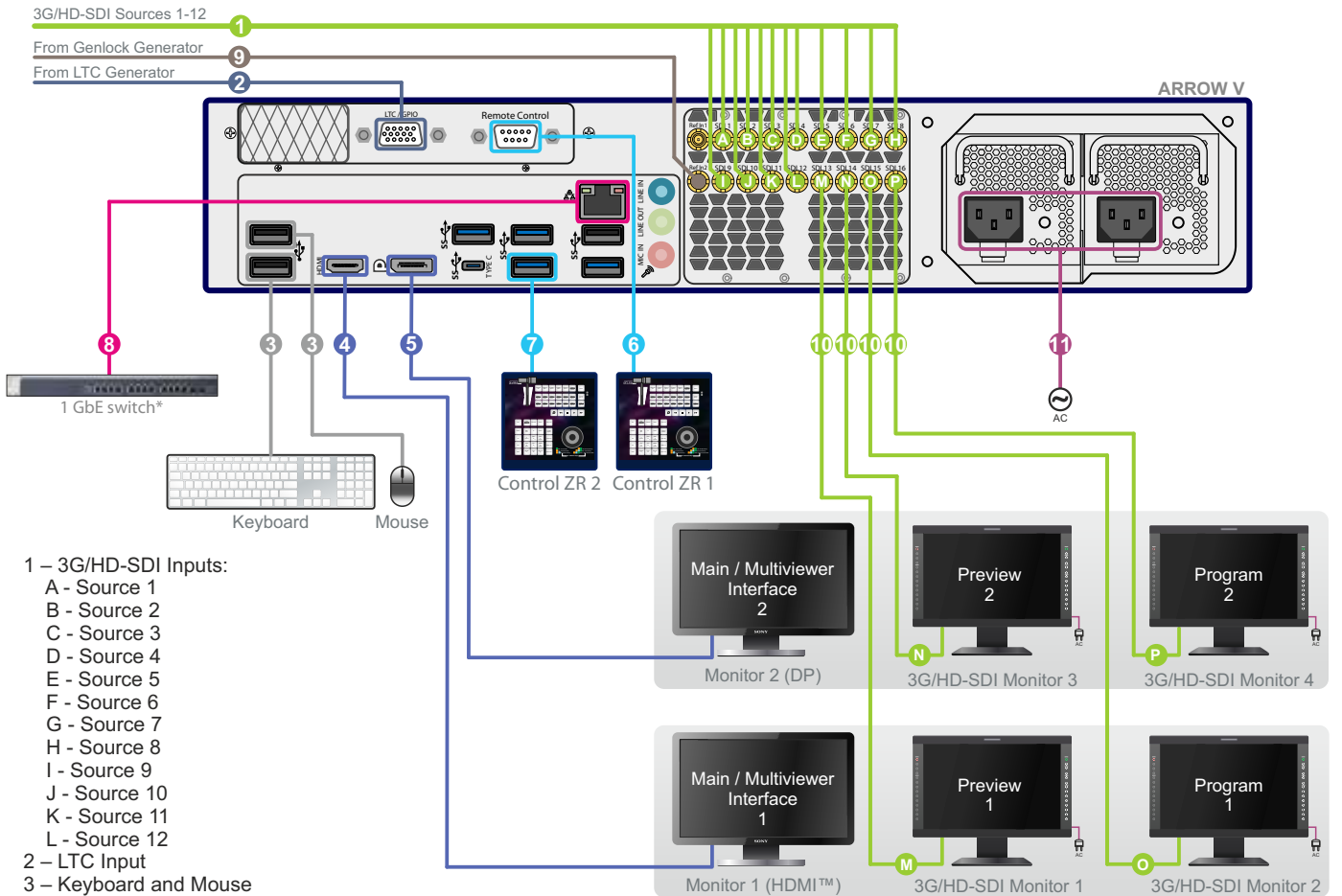
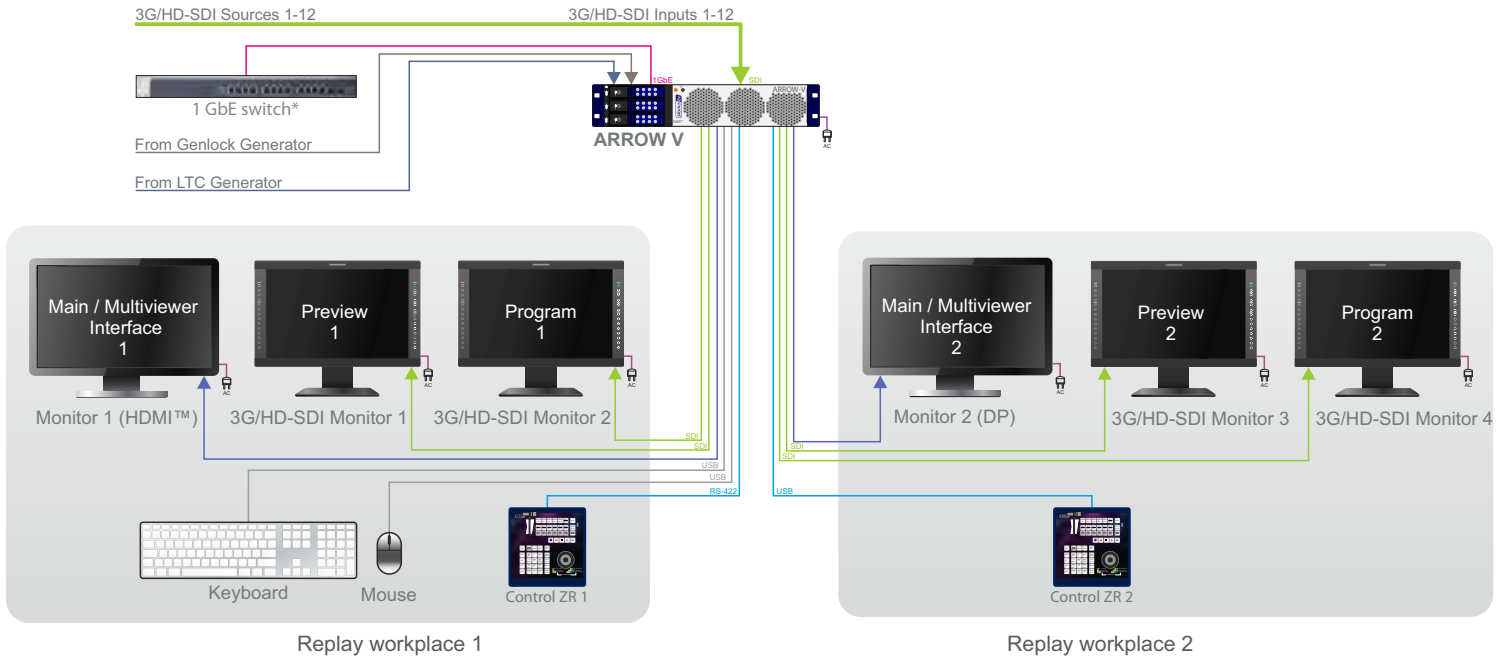


# Arrow V

## 12-channel 3G/HD replay configuration.

### Two Independent 662 Replay Workplaces

12 3G/HD SDI inputs. Each workplace: 6 Record, 6 Search, 2 Playback channels.  
 Graphics Port 1 (2) – Main Interface and Multiviewer via Multiskin,  
 SDI Output 1 (3) – Preview, SDI Output 2 (4) – Program.  
 Redundant Power Supply Option.



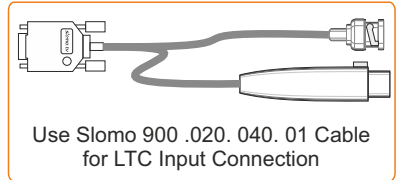
1 – 3G/HD-SDI Inputs:

- A - Source 1
- B - Source 2
- C - Source 3
- D - Source 4
- E - Source 5
- F - Source 6
- G - Source 7
- H - Source 8
- I - Source 9
- J - Source 10
- K - Source 11
- L - Source 12

- 2 – LTC Input
- 3 – Keyboard and Mouse
- 4 – Main/Multiviewer Interface 1 (HDMI™ 1920 x 1080 )
- 5 – Main/Multiviewer Interface 2 (DP 1920 x 1080)
- 6 – Remote control 1 - Control ZR
- 7 – Remote control 2 - Control ZR

- 8 – 1 GbE
- 9 – Reference Input
- 10 – 3G/HD-SDI Outputs:

- M - Preview 1
- N - Preview 2
- O - Program 1
- P - Program 2
- 11\*\* – AC 110/220V 60/50Hz



\* – not included  
 \*\* – redundant power supply option