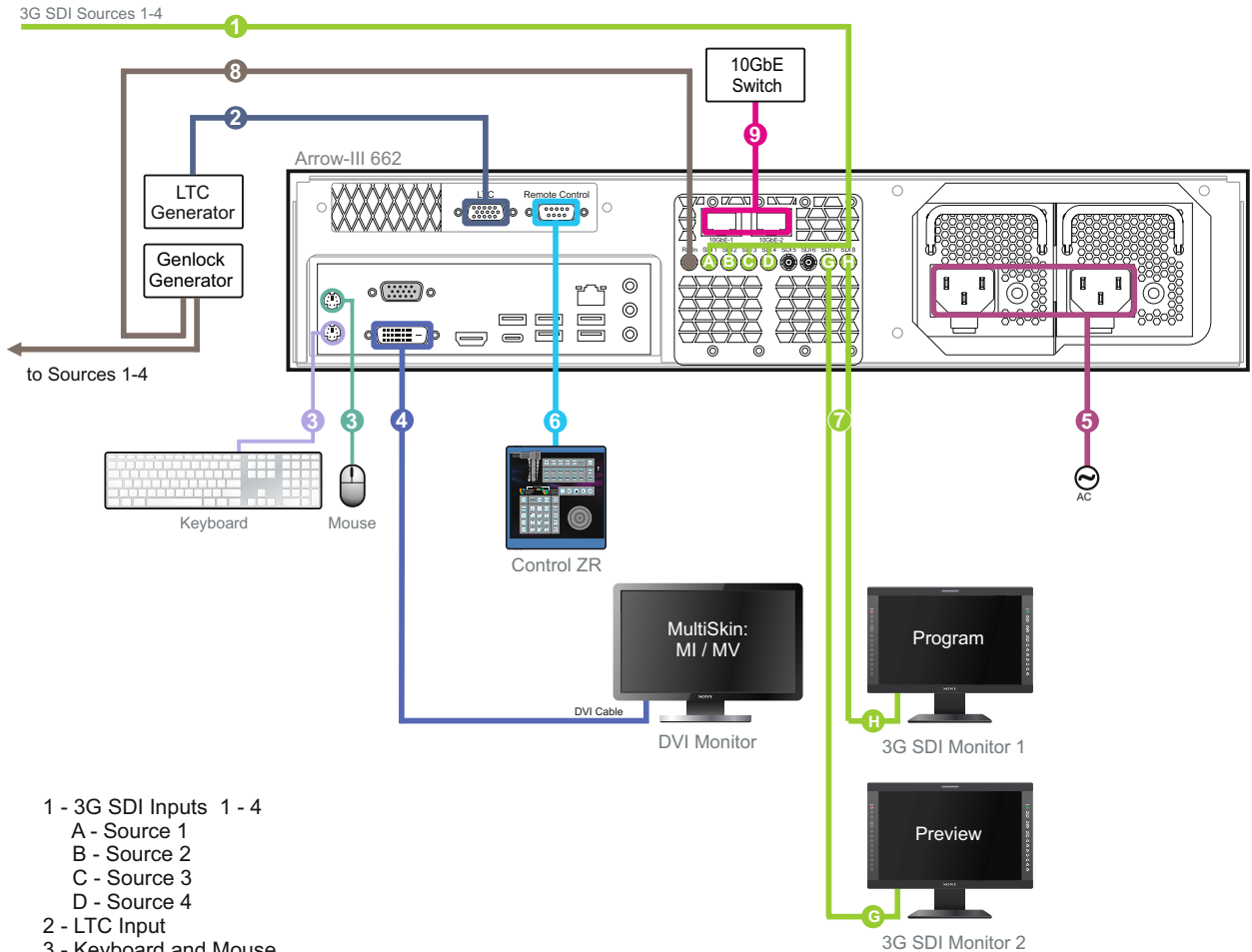
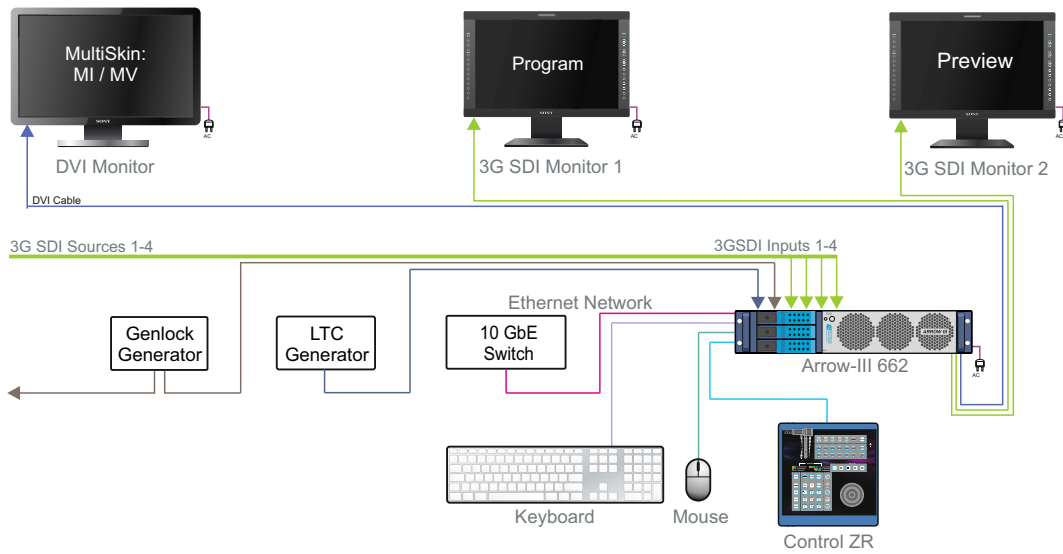


Arrow-III 662. 4-channel 3G SDI (1920x1080 50p/60p) Replay configuration

4 3G SDI inputs, MJPEG codec. 3G SDI Output H - Program. 3G SDI Output G - Preview.
 Graphics Port 1 uses MultiSkin for displaying Main Interface (MI), Multiviewer (MV) interface.



- 1 - 3G SDI Inputs 1 - 4
 A - Source 1
 B - Source 2
 C - Source 3
 D - Source 4
- 2 - LTC Input
- 3 - Keyboard and Mouse
- 4 - DVI 1920 x 1080 - MultiSkin:
 Main Interface/ Multiviewer
- 5 - AC110/220 V 60/50Hz
- 6 - Control Z Remote Control
- 7 - 3G SDI Outputs
 G - Preview
 H - Program
- 8 - Reference Input
- 9 - 10 GbE

Use Slomo 900.003.043.10 Cable for BNC Connections 1, 7, 8

Use Slomo 900.020.040.01 Cable for LTC Input Connection